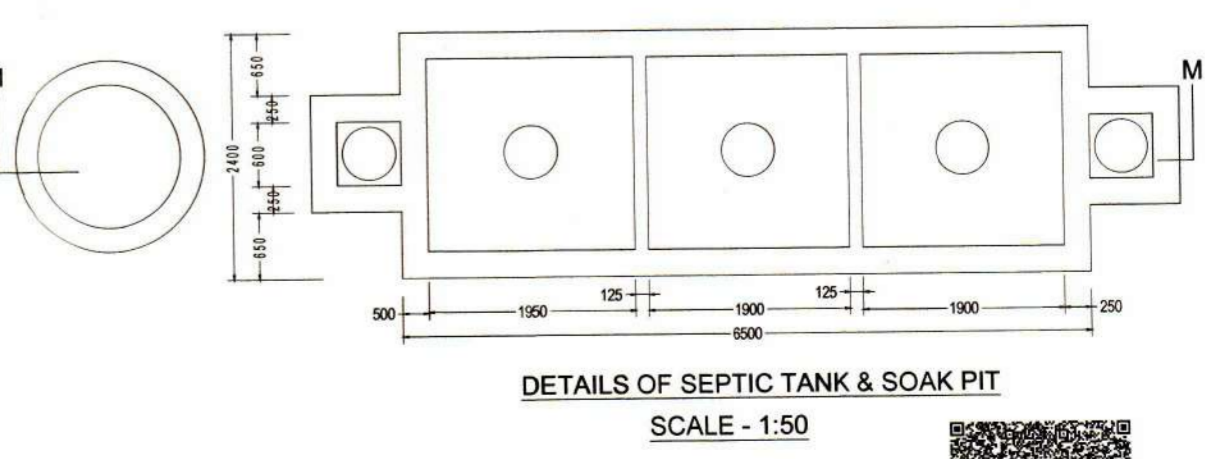
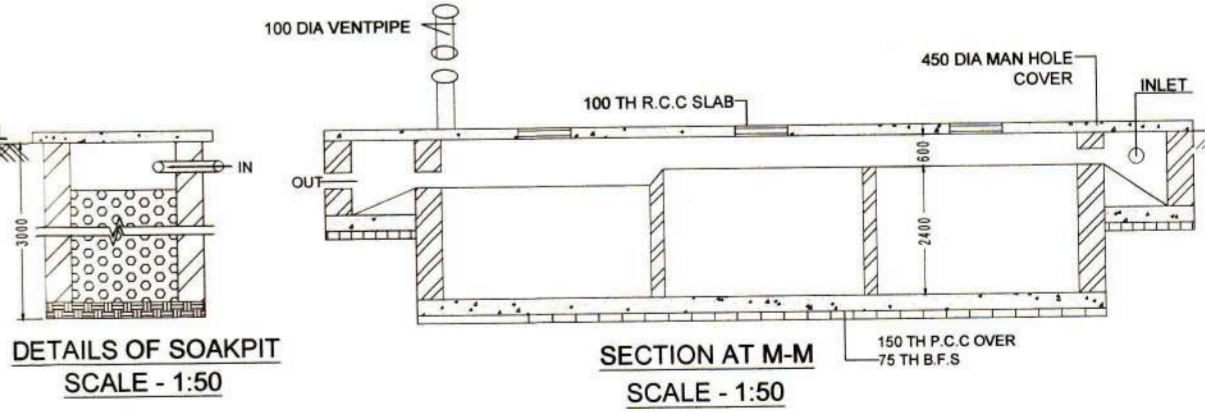
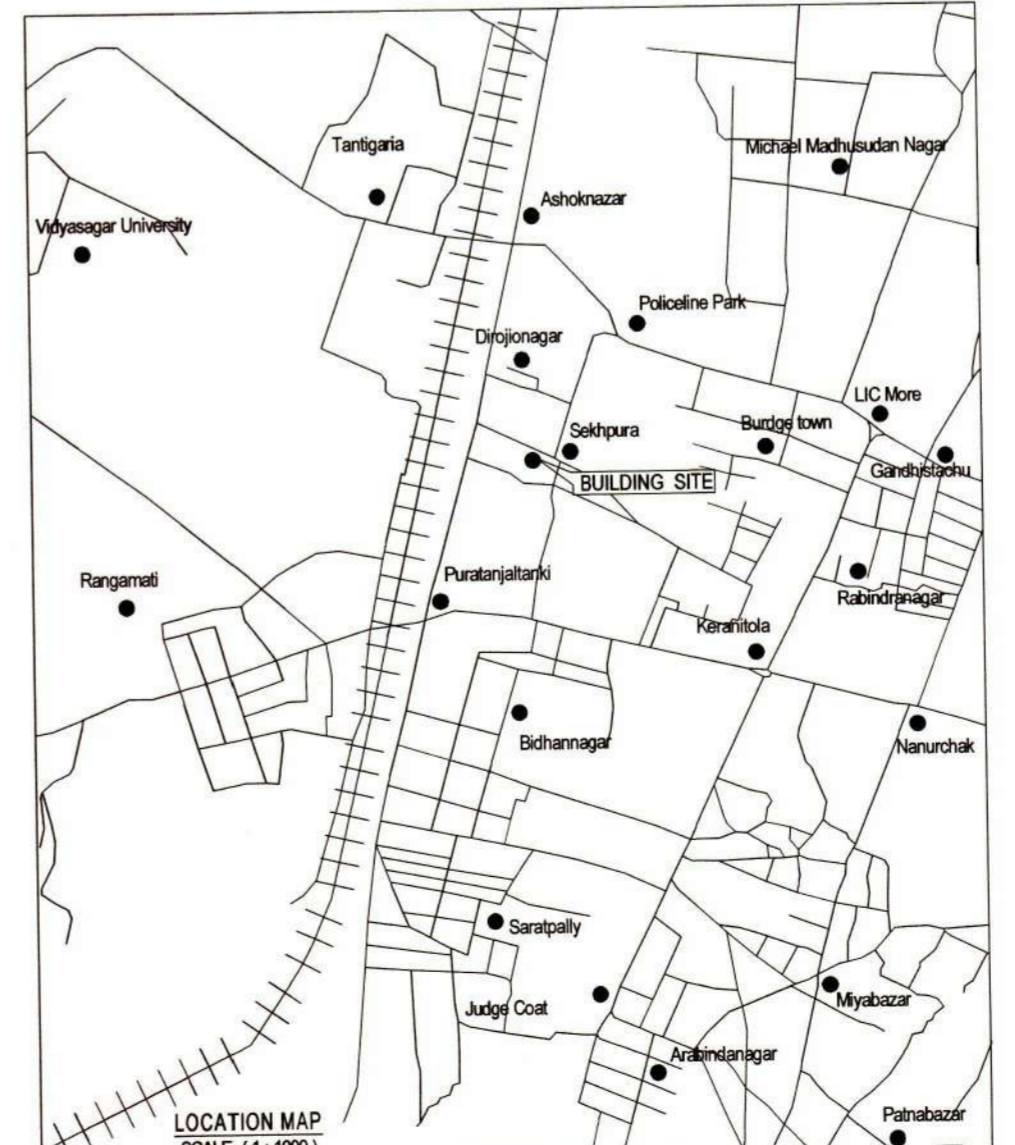
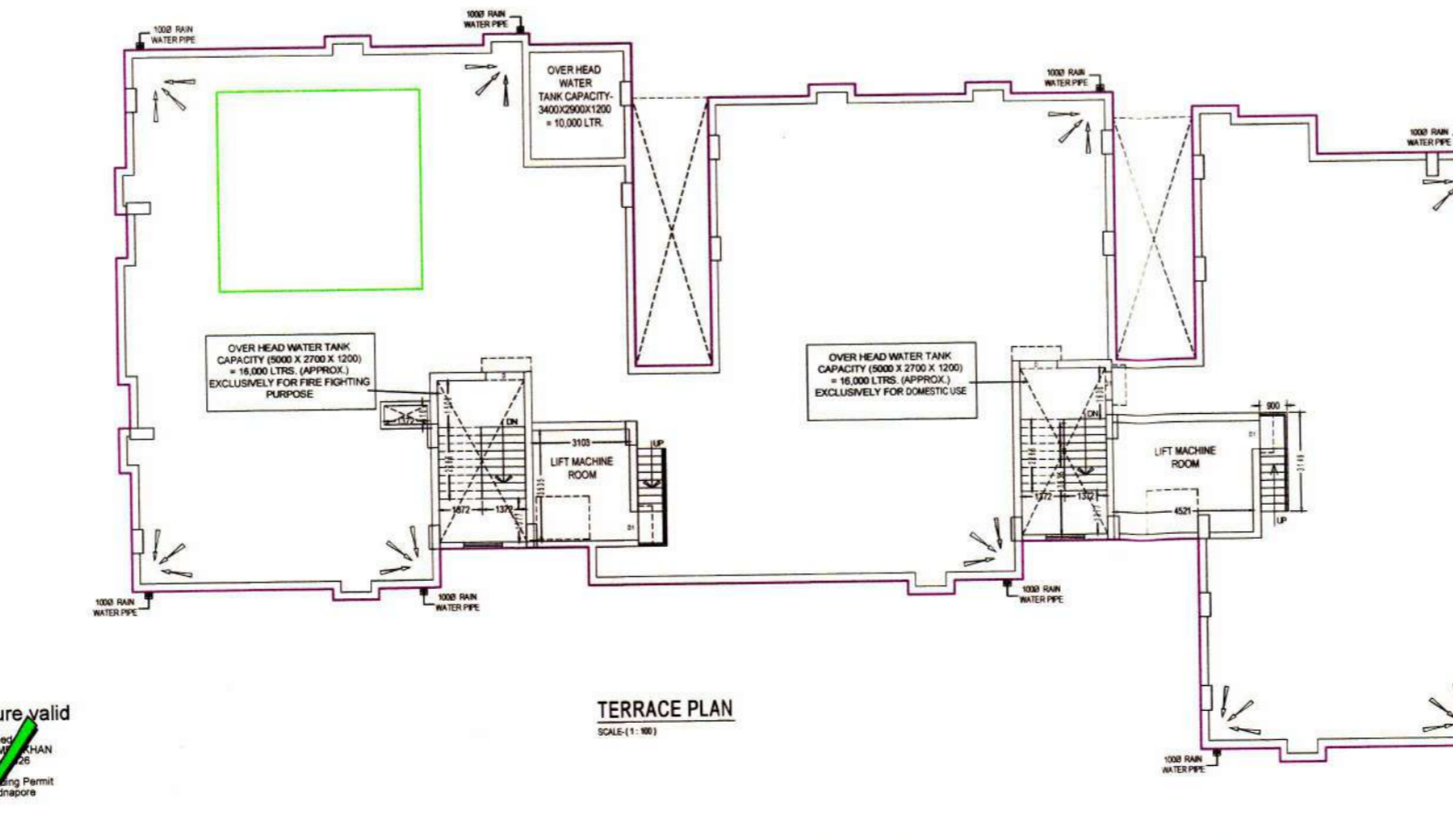
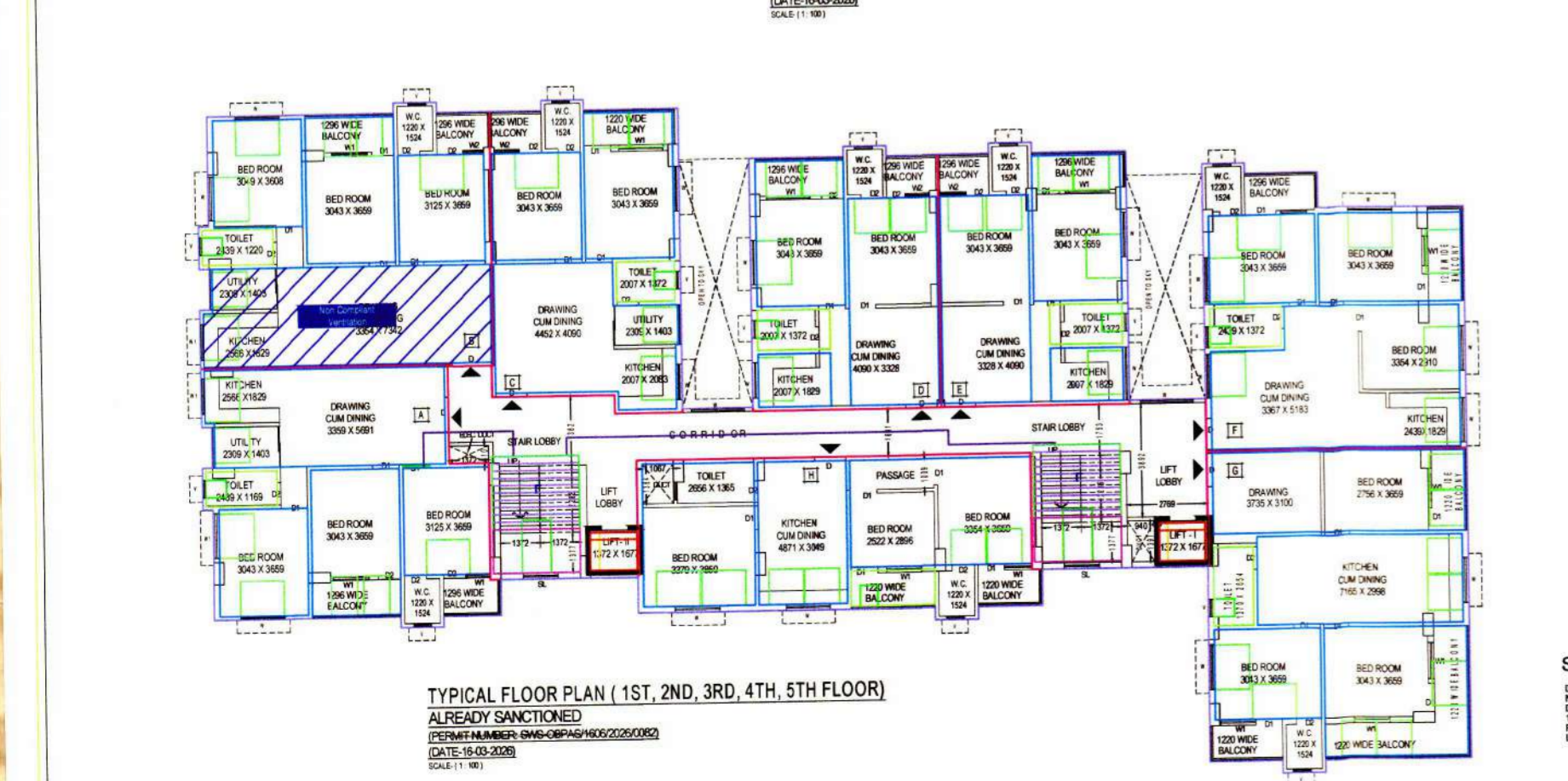
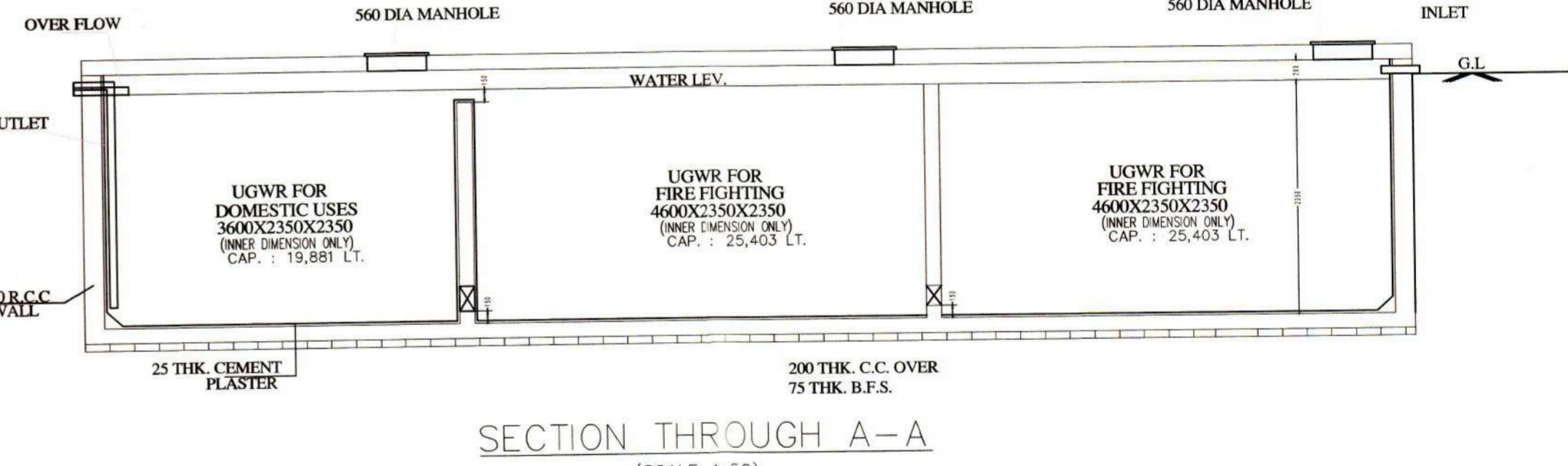
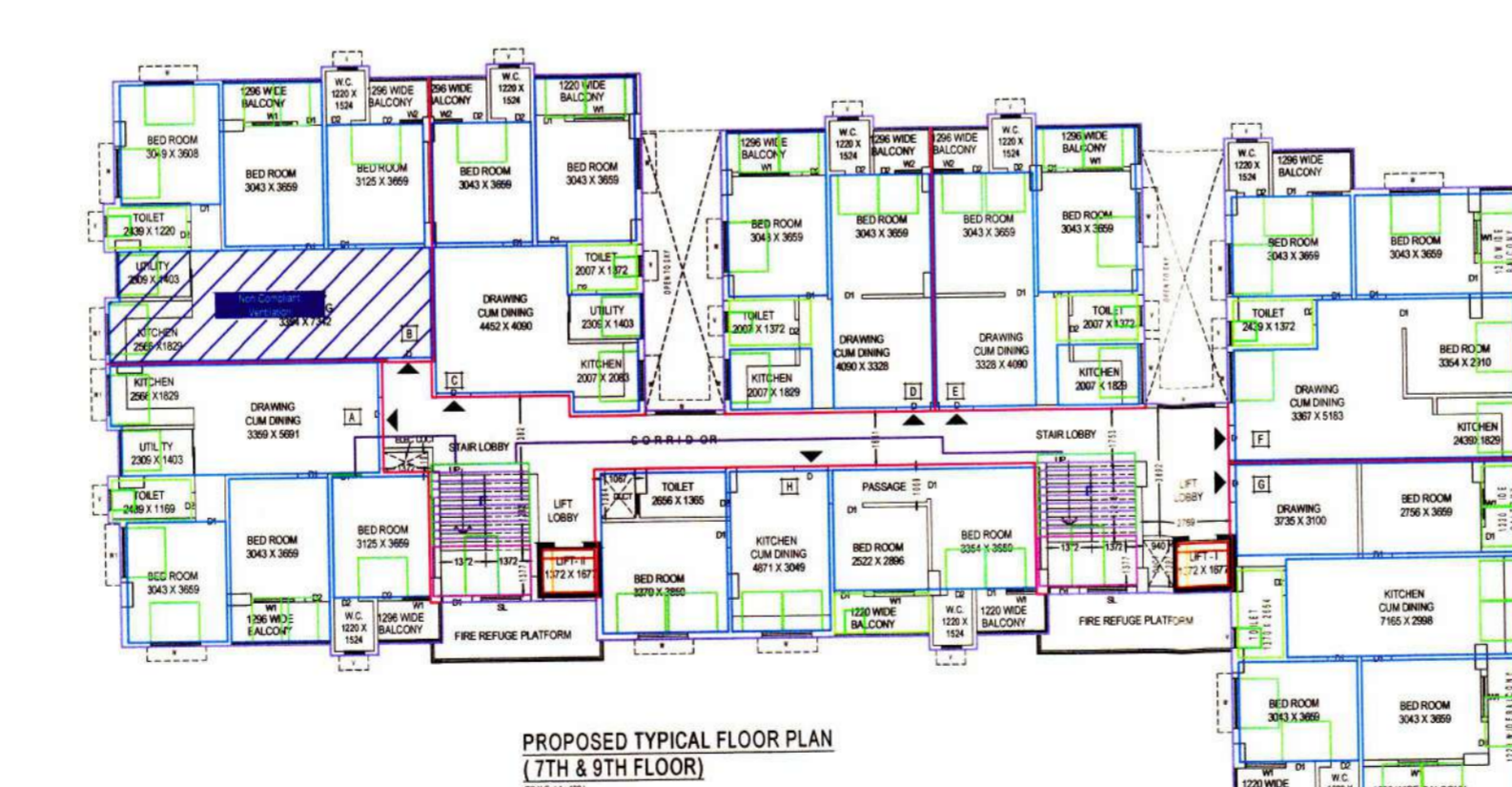
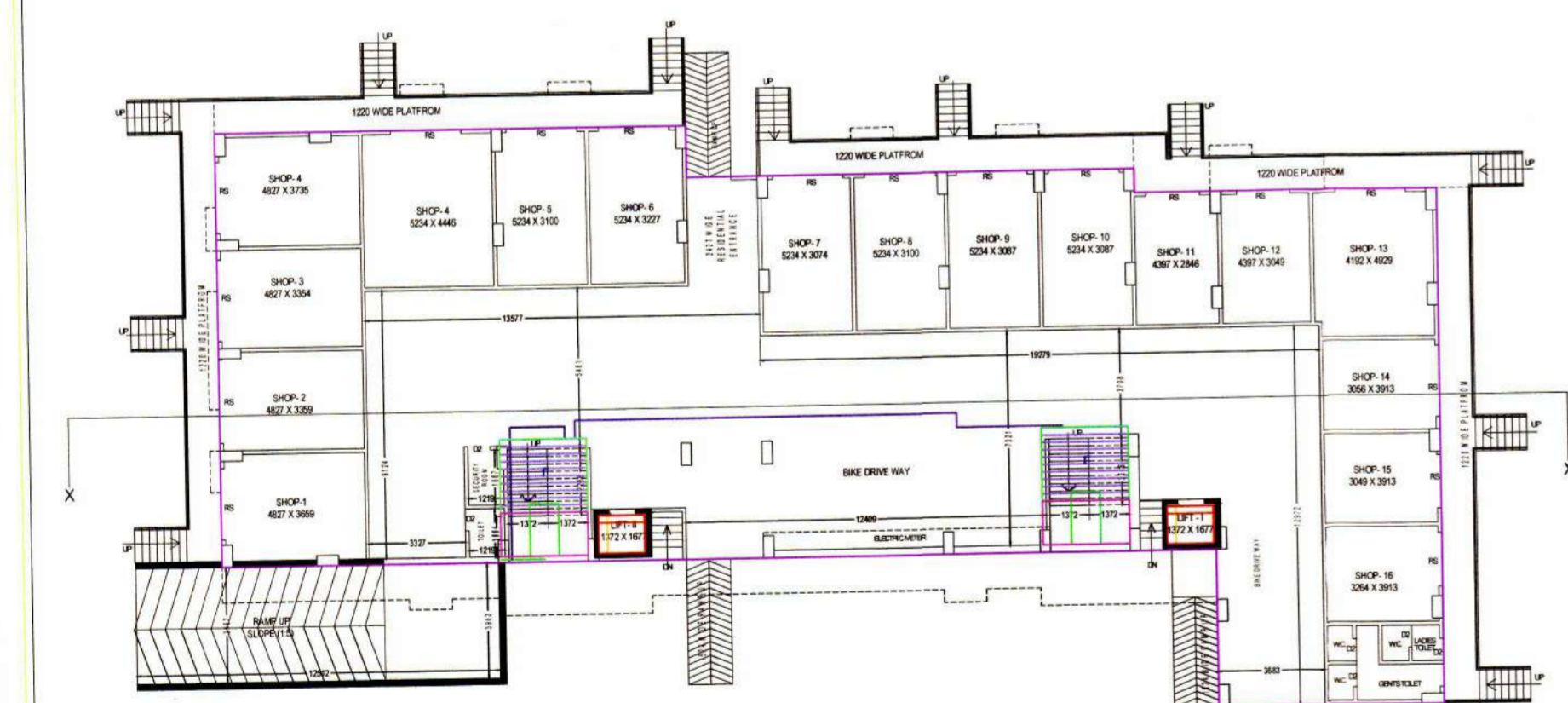
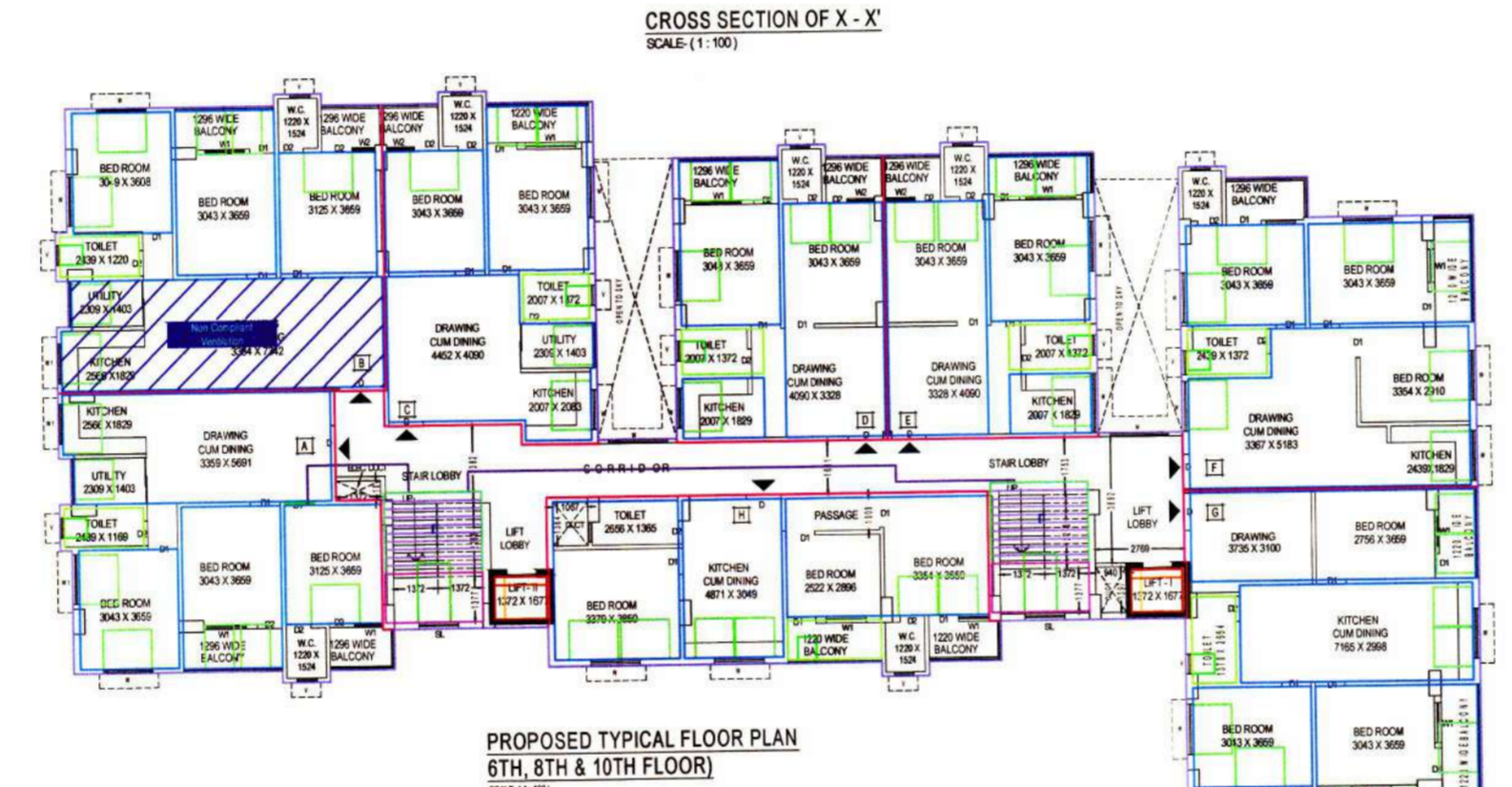
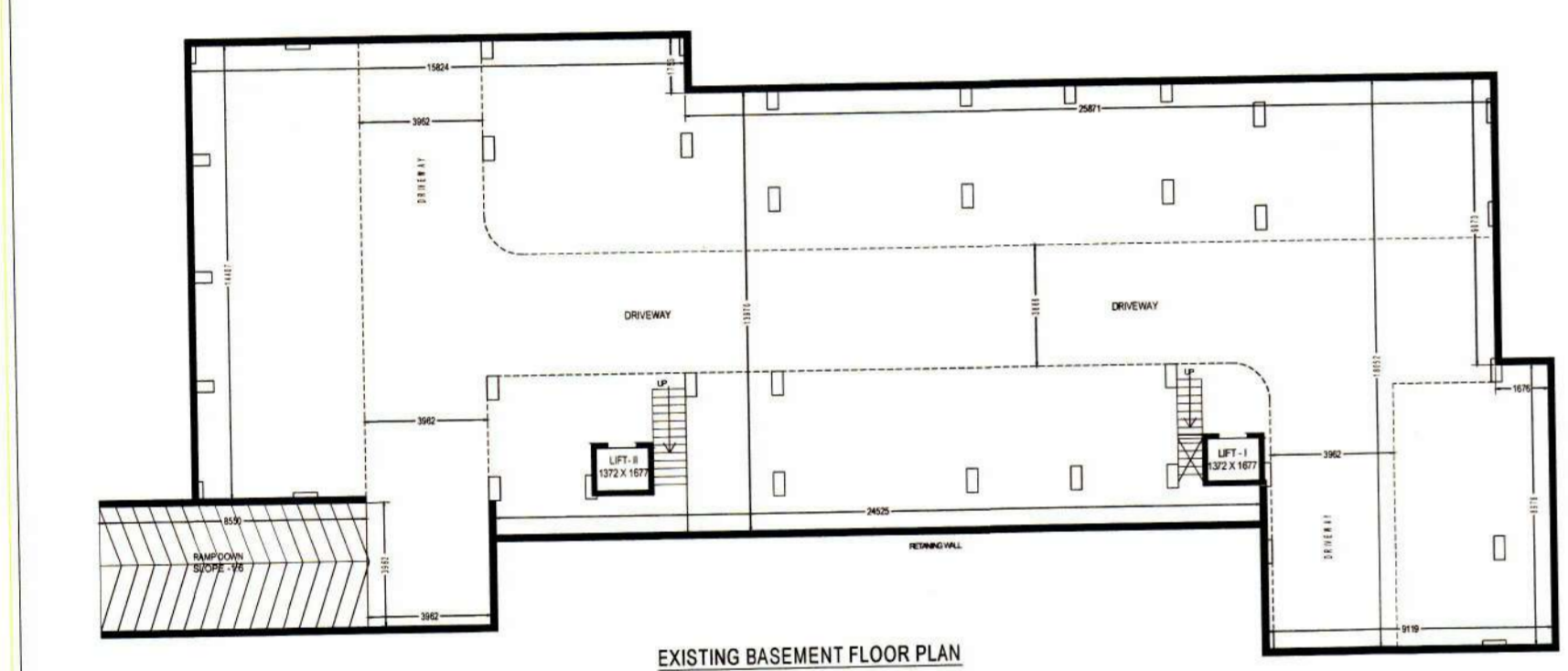


LEGAL REPRESENTATIVE (SPECIALIST) REGISTERED ARCHITECTS & ENGINEERS IN FAVOR OF M.S.A.D. CONSTRUCTION REPRESENTED BY PARTNERSHIP OF S. ANAND & S. ANAND, S.O. NO. 10, ANAND NAGAR, 2, 3RD CROSS, 4TH STAGE, 1ST FLOOR, P.O. MEDANVAH, DIST. PANCHALUR, UNDER MEDANVAH MUNICIPALITY.

LEGAL REPRESENTATIVE (SPECIALIST) REGISTERED ARCHITECTS & ENGINEERS IN FAVOR OF M.S.A.D. CONSTRUCTION REPRESENTED BY PARTNERSHIP OF S. ANAND & S. ANAND, S.O. NO. 10, ANAND NAGAR, 2, 3RD CROSS, 4TH STAGE, 1ST FLOOR, P.O. MEDANVAH, DIST. PANCHALUR, UNDER MEDANVAH MUNICIPALITY.

NO.	REVISIONS	DATE
1	ISSUED FOR PERMIT	10/10/2024
2	ISSUED FOR PERMIT	10/10/2024
3	ISSUED FOR PERMIT	10/10/2024
4	ISSUED FOR PERMIT	10/10/2024
5	ISSUED FOR PERMIT	10/10/2024
6	ISSUED FOR PERMIT	10/10/2024
7	ISSUED FOR PERMIT	10/10/2024
8	ISSUED FOR PERMIT	10/10/2024
9	ISSUED FOR PERMIT	10/10/2024
10	ISSUED FOR PERMIT	10/10/2024
11	ISSUED FOR PERMIT	10/10/2024
12	ISSUED FOR PERMIT	10/10/2024
13	ISSUED FOR PERMIT	10/10/2024
14	ISSUED FOR PERMIT	10/10/2024
15	ISSUED FOR PERMIT	10/10/2024
16	ISSUED FOR PERMIT	10/10/2024
17	ISSUED FOR PERMIT	10/10/2024
18	ISSUED FOR PERMIT	10/10/2024
19	ISSUED FOR PERMIT	10/10/2024
20	ISSUED FOR PERMIT	10/10/2024
21	ISSUED FOR PERMIT	10/10/2024
22	ISSUED FOR PERMIT	10/10/2024
23	ISSUED FOR PERMIT	10/10/2024
24	ISSUED FOR PERMIT	10/10/2024
25	ISSUED FOR PERMIT	10/10/2024
26	ISSUED FOR PERMIT	10/10/2024
27	ISSUED FOR PERMIT	10/10/2024
28	ISSUED FOR PERMIT	10/10/2024
29	ISSUED FOR PERMIT	10/10/2024
30	ISSUED FOR PERMIT	10/10/2024
31	ISSUED FOR PERMIT	10/10/2024
32	ISSUED FOR PERMIT	10/10/2024
33	ISSUED FOR PERMIT	10/10/2024
34	ISSUED FOR PERMIT	10/10/2024
35	ISSUED FOR PERMIT	10/10/2024
36	ISSUED FOR PERMIT	10/10/2024
37	ISSUED FOR PERMIT	10/10/2024
38	ISSUED FOR PERMIT	10/10/2024
39	ISSUED FOR PERMIT	10/10/2024
40	ISSUED FOR PERMIT	10/10/2024
41	ISSUED FOR PERMIT	10/10/2024
42	ISSUED FOR PERMIT	10/10/2024
43	ISSUED FOR PERMIT	10/10/2024
44	ISSUED FOR PERMIT	10/10/2024
45	ISSUED FOR PERMIT	10/10/2024
46	ISSUED FOR PERMIT	10/10/2024
47	ISSUED FOR PERMIT	10/10/2024
48	ISSUED FOR PERMIT	10/10/2024
49	ISSUED FOR PERMIT	10/10/2024
50	ISSUED FOR PERMIT	10/10/2024



Signature valid